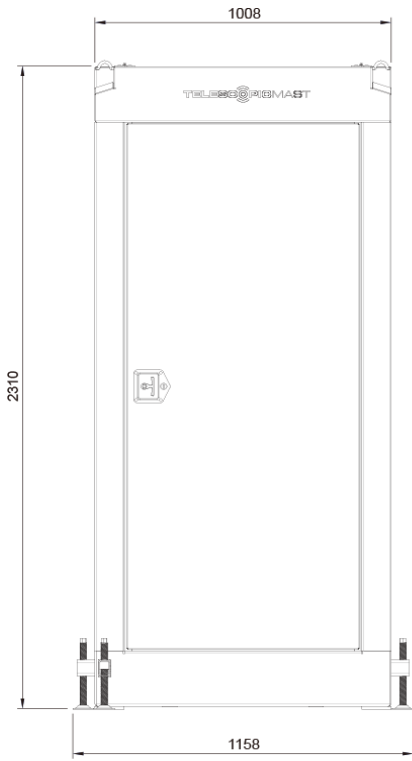


Security Box

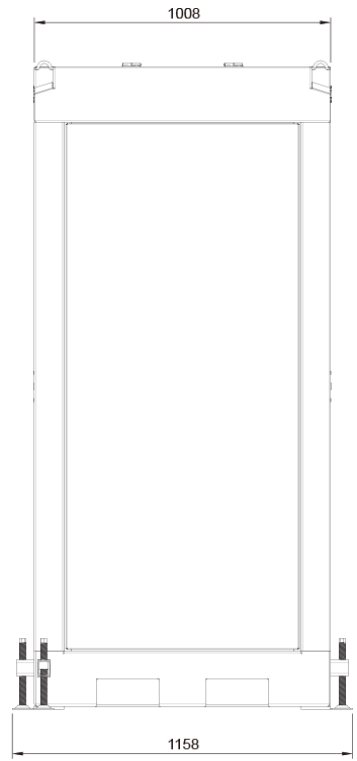
MSB6 Premium



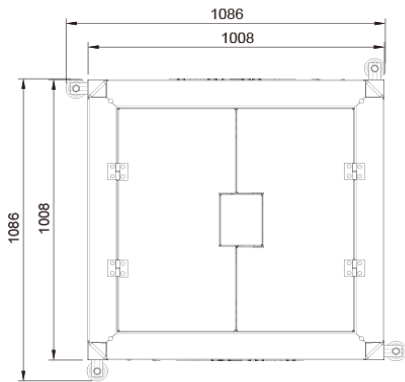
TELESCOPICMAST



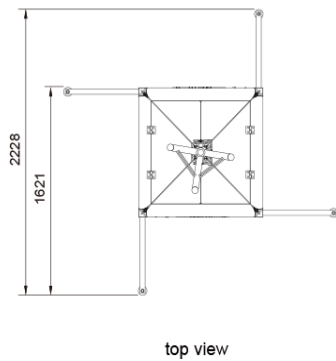
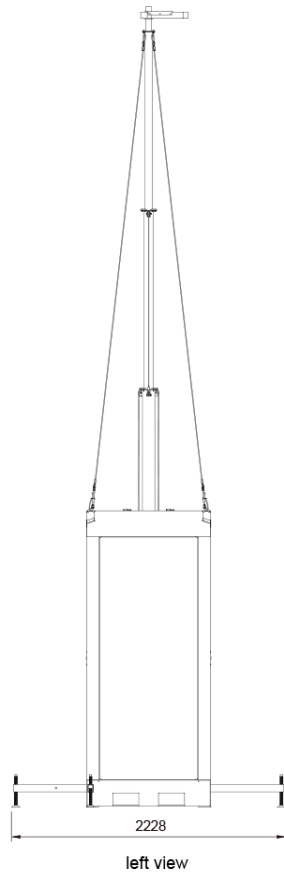
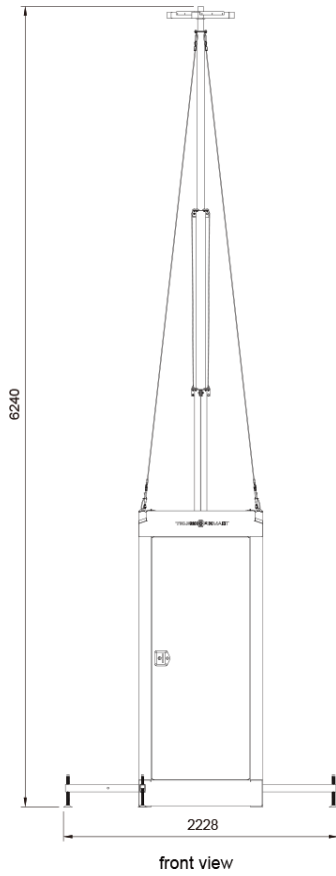
front view



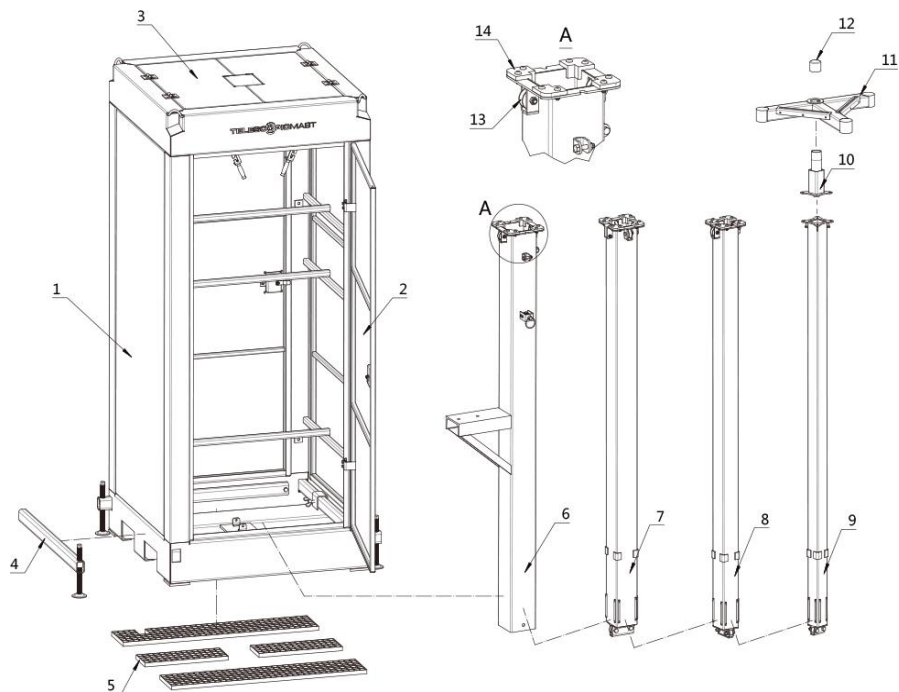
left view



top view



exploded view



Major Part List

No.	Description	Quantity	No.	Description	Quantity
1	Box frame	1	8	Tube 80x80mm	1
2	Door	2	9	Tube 60x60mm	1
3	Cover (left, right)	2	10	Connecting tube	1
4	Stabilizer	4	11	T-part	1
5	Grid plate	4	12	Socket 1-1/4"	1
6	Tube 120x120mm	1	13	Pulley wheel	6
7	Tube 100x100mm	1	14	Block	12

Material List		
No.	Description	Material
1	Plates	Q235
2	Square tube	Q235
3	Hand winch	ML45
4	Wire rope	304SST
5	Fasteners (Class 8.8)	ML35

Spare Parts List	
No.	Description
1	Hand winch
2	Wire rope
3	Pulley wheel
4	Block
5	Fasteners (Class 8.8)

Cautions:

- The operating life of MSB-serial box is ten years.
- The MSB-serial box is build-in telescopic mast for ground lighting control and monitoring systems.
- Wear safety gear during operation to avoid collision and attention to door gap pinch hand.
- Maximum permissible slope angle of the MSB-serial box is 5 degrees.
- Maximum rated load capacity topmast is 60kg.
- When the tube extend poorly can be added to the lubricant, such as WD40 for the rotating parts.
- The MSB-serial box storage in the warehouse with clean and dry environment. Keep away from moisture, high temperature, dusty, corrosive and oxidizing gas to avoid rust.
- Read the user's manual before operating, do not use the MSB-serial when there is an issue or damage with the operating system.
- If the security box will park for more than three months, the keeper shall check and maintain every three months.
- Decommissioning must be done by a qualified person with knowledge about the MSB-serial.
- Removal and disposal must be done by a qualified person with knowledge about the MSB-serial.
- Inspection or recovery must be done by a qualified person with knowledge about the MSB-serial.
- Unhitching must be done by a qualified person with knowledge about the MSB-serial.
- Recovering, decommissioning, repair, cleaning can be done only by qualified person
- trained by FebOne BV.



***No permission to lift load more than rated load 60kg
Regarding erecting the box in the audience area***

Transport:

- The Telescopic mast in Box is equipped with 4 lifting eyes
- Equipped with sleeves for transport with forklift

User's manual 4-piece telescopic mast in box(MSB6-Premium)

Must be installed by a professional person.

For using the telescopic mast, see figure working state.

From wind speed more than 85km/hrs slide the mast complete down into the box

Lock inside the box each stabilizer with the automatic spring locker.

1. Before using, level the MSB6-Premium on a stable and horizontal ground
2. Open the doorsize with the winch in front of you
3. Pull out the 4 stabilizer and slide out to the maximum size
4. Lock each stabilizer with the bolt inside, not possible to slide in/out
5. Turn out the wheel and level each stabilizer
6. Open both top covers for assembling the floodlight, camera, etc. on the T-part of the telescopic mast
7. Assemble the 4 steel cables on top of the mast and on the 4 lifting eyes (figure working state)
8. Check the cables are correct positioned and not crossed during sliding the mast in and out
9. Maximum weight in top T-Part 60 kg
10. Take care there is enough space for winching out/in during assembling the floodlights etc.
11. Check the cable position and position of the steel wires
12. The winch should rattle during hoisting
13. Extend the mast to his maximum size until it automatical locks the inner mast (automatic lock in front of the mast)
14. To provide tolerance between the masts, turn the winch handle slightly forward until the stainless steel cables are in a tighten position
15. Close and lock the 2 top cover
16. Telescopic Box is ready for use

Lower the telescopic mast in box (slide in)

- Open the front door and both top covers of the MSB6-Premium
- Unlock the automatic locker and slide gently down the inner mast until it drops completely inside the box (beware of the 4 stable cables do not get stuck)
- Turn in the wheel and unlock the 4 stabilizers and slide them inside the box
- Close the top covers and doors
- Check if everything is safe and ready for transport

Although composed with the utmost care, we can accept no liability for any damage caused by errors / omissions in the texts

- **Never feed the electrical cables (or any other cables) through the mast**



EC Declaration of Conformity
According to the Machinery Directive 2006/42/EC

For the following equipment :
Product : Security Box
Type Designation / Trademark : MSB6-Premium, MSB6-Basic
Manufacturers Name : FebOne B.V.
Manufacturers Address : Graaf van Solmsweg 46 5222 BP 'S-Hertogenbosch
Netherlands

Refer to in this declaration conforms to the following directive(s)/standards:

2006/42/EC, DIN 56950-1:2012-05, DIN 56950-3:2015-12

The company named above will keep on file for review the following technical documentation:

- Operating and maintenance instructions
- Technical drawings
- Risk assessment
- Description of measures designed to ensure conformity
- Other technical documentation ,e.g. quality assurance measures for design and production

Name and address of the person (established in the Community) compiled the technical file: FebOne B.V. Graaf van Solmsweg 46 5222 BP 'S-Hertogenbosch Netherlands
Responsible for marking this declaration is the:

Manufacturer Authorized representative established within the EU

Authorized representative established within the EU (if applicable):

Company Name:

Company Address:

Person responsible for making this declaration

Name, Surname:

Position/Title:

'S-Hertogenbosch
(place)

16 January 2019
(date)

FebOne B.V.
(company stamp and legal signature)

FebOne B.V.
Graaf van Solmsweg 46
5222BP 's-Hertogenbosch
The Netherlands
+31 (0)850 655 776

TELESCOPICMAST

www.telescopicmast.com